



Outperform every day.™

Project:  
Item Number:  
Quantity:

## LOW PROFILE HINGED GLASS BREATH GUARDS



### DESCRIPTION

Vollrath's Low Profile Hinged Glass Breath Guards are NSF certified and can also easily be adjusted for greater access for loading and unloading food, as well as cleaning.

### ITEMS

Item No.	Style	For Use With	Length
55278	Double-Sided Buffet	Signature Server Bases	3-Well/Pan
55279			4-Well/Pan
55280			5-Well/Pan
55281			6-Well/Pan
LP55277		Drop-ins	2-Well/Pan
LP55278			3-Well/Pan
LP55279			4-Well/Pan
LP55280			5-Well/Pan
LP55281			6-Well/Pan

### FEATURES

- Welded top frame provides rigid structural support, so fewer upright supports are needed.
- 1/4" (6.4 mm) tempered glass panels provide durability and a clear view of the food.
- Threaded standoffs make it easy to remove the top shelf as well as ensure it is securely attached to prevent accidental movement.
- Fully adjustable hinged front panels provide full-access for loading and unloading food, and cleaning the glass.
- Extruded aluminum upright supports feature built-in wiring chases for lighting and heat strip options.
- Upright support and frame caps provide easy access to the electrical wiring for service.
- Mounts to stainless steel, solid surface and laminate countertops.

**Note:** NSF Certification requires the breath guard be mounted to a countertop that has depth of at least 28"(71.1 cm) and a height between 34-36"(86.4-91.4).

**Note:** When ordering breath guards for Signature Server® bases with stainless steel countertops, 14 gauge countertops must be specified, will be supplied by Vollrath and added to the cost of the base. Please see the Vollrath Food Service List Prices book.

### WARRANTY

All models shown come with Vollrath's standard warranty against defects in materials and workmanship. For full warranty details, please refer to [www.Vollrath.com](http://www.Vollrath.com).

Approvals	Date

Due to continued product improvement, please consult [www.vollrath.com](http://www.vollrath.com) for current product specifications.



Outperform every day.™

[www.vollrath.com](http://www.vollrath.com)

### The Vollrath Company, L.L.C.

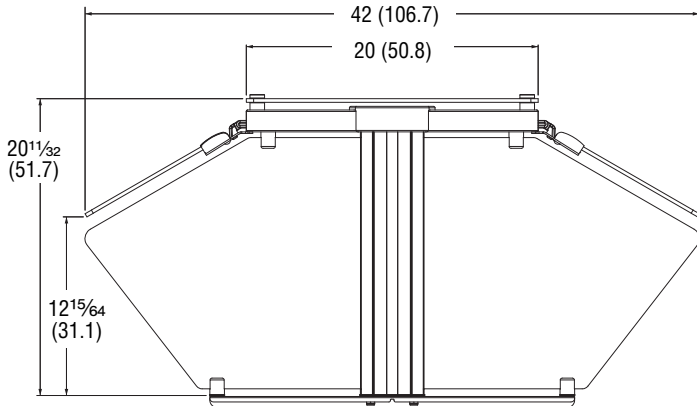
1236 North 18th Street  
Sheboygan, WI 53081-3201 U.S.A.  
Main Tel: 800.624.2051 or 920.457.4851  
Main Fax: 800.752.5620 or 920.459.6573  
Customer Service: 800.628.0830  
Canada Customer Service: 800.695.8560

Technical Services  
[techservicereps@vollrathco.com](mailto:techservicereps@vollrathco.com)  
Induction Products: 800.825.6036  
Countertop Warming Products: 800.354.1970  
All Other Products: 800.628.0832

# LOW PROFILE HINGED GLASS BREATH GUARDS

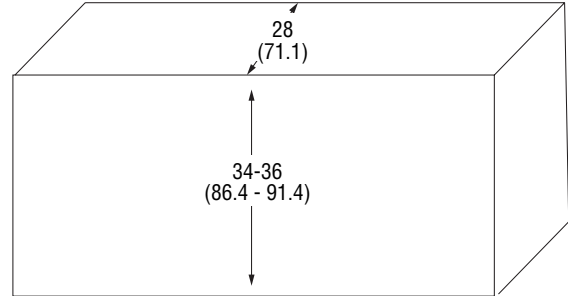
## DIMENSIONS (Shown in inches (cm))

**End View**

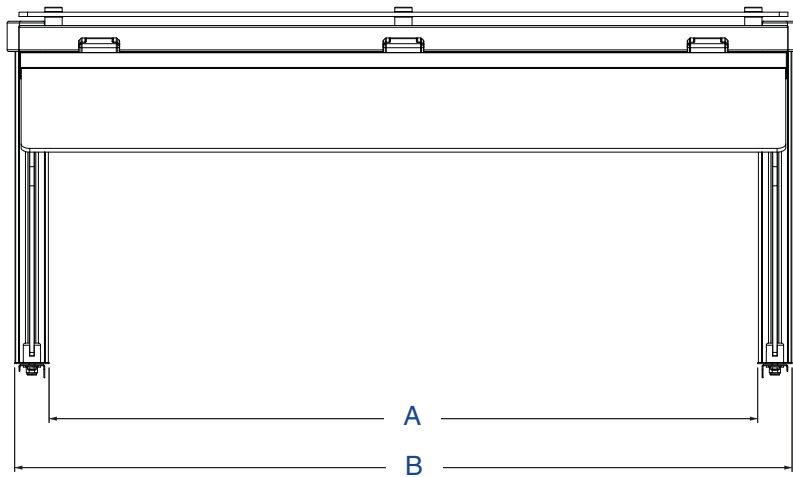


## MOUNTING REQUIREMENTS

Note: NSF Certification requires the breath guard be mounted to a countertop that has depth of at least 28" (71.1 cm) and a height between 34-36" (86.4-91.4 cm)



**Front View**



## SPECIFICATIONS

Item No.	For Use With	Size	(A) Inside of Flange to Inside of Flange	(B) Outside of Flange to Outside of Flange
55278	Signature Server® Bases	Three-Well/Pan	41 (14.1)	44 (111.8)
55279		Four-Well/Pan	55 (139.7)	58 (147.3)
55280		Five-Well/Pan	69 (175.3)	72 (182.9)
55281		Six-Well/Pan	83 (210.8)	87 (220.9)
LP55277		Two-Well/Pan	30 (76.2)	33 (83.8)
LP55278	Drop-ins	Three-Well/Pan	44 (111.7)	47 (119.4)
LP55279		Four-Well/Pan	57 (144.8)	60 (152.4)
LP55280		Five-Well/Pan	70 (177.8)	73 (185.4)
LP55281		Six-Well/Pan	83 (210.8)	87 (220.9)



Outperform every day.™

[www.vollrath.com](http://www.vollrath.com)

**The Vollrath Company, L.L.C.**

1236 North 18th Street  
 Sheboygan, WI 53081-3201 U.S.A.  
 Main Tel: 800.624.2051 or 920.457.4851  
 Main Fax: 800.752.5620 or 920.459.6573  
 Customer Service: 800.628.0830  
 Canada Customer Service: 800.695.8560

Technical Services  
[techservicereps@vollrathco.com](mailto:techservicereps@vollrathco.com)  
 Induction Products: 800.825.6036  
 Countertop Warming Products: 800.354.1970  
 All Other Products: 800.628.0832