



Outperform every day.™

**Project:**

**Item Number:**

**Quantity:**

**CONVEYOR BAGEL AND BUN TOASTERS - 400-500 SLICES PER HOUR (MODELS JT1B, JT1BH)**



**DESCRIPTION**

Vollrath's conveyor bagel and bun toasters are designed for one-sided toasting. They toast the cut side and warm the crown of bagels and buns. Variable speed control dials in ideal browning. Ideal for medium-volume operations that will mainly toast bagels and buns, but also want the option of low-volume two-side toasting.

**ITEMS**

Item No.	Model	Description
CT2B-120500	JT1B	500 Slices Per Hour, 120V
CT2BH-120400	JT1BH	400 Slices Per Hour, 120V, High Clearance

**FEATURES**

- Stainless steel and aluminized steel construction.
- Variable speed control.
- Top and Top-Bottom heat switch to quickly change between one-sided and two-sided toasting.
- 10½" (26.7 cm) 2-slice wide conveyor is larger than industry standard for better toasting results.
- Forced convection toasting promotes uniform results and energy efficiency.
- Energy efficient, fast reacting, quartz heaters.
- Standby mode saves up to 75 percent energy during slow periods when unit is not in use and allows machine to quickly return to full power.
- High-temperature, Teflon™ bearings ensure smooth operation and do not require lubrication.
- High-quality, Teflon™-impregnated wires help prevent against dry rotting and cracking.
- High-temperature thermoplastic terminal blocks with stainless steel clamping provides superior connections; designed for ease of serviceability.
- Industry's only maintenance-free drive system; stainless steel drive chain does not require lubrication.
- Fan safety switch senses temperature of unit and keeps fan running until machine is completely cool.
- Adjustable legs.
- 5 ft. (1.5 m) cord with plug.
- Made in the USA.

**WARRANTY**

- Warrantied parts: The warranty period is 2 year parts, 1 year labor.
- Heater tubes: The warranty period is 1 year, including labor when performed at an authorized service center. Heater tube glass damage is not covered by this warranty.
- For full warranty details, please refer to [www.Vollrath.com](http://www.Vollrath.com).

**CLEARANCE AND ENVIRONMENT REQUIREMENTS**

- Do not place on surfaces or near walls, partitions or kitchen furniture unless they are made of non-combustible material or clad with non-combustible heat-insulating material. Toasters must not be used near or below curtains and other combustible materials.
- Maximum ambient temperature: 104° F (40 ° C).

**Agency Listings**



Due to continued product improvement, please consult [www.vollrath.com](http://www.vollrath.com) for current product specifications.

Approvals	Date

Conveyor Bagel and Bun Toasters - 400-500 Slices Per Hour

The Vollrath Company, L.L.C.



Outperform every day.™

[www.vollrath.com](http://www.vollrath.com)

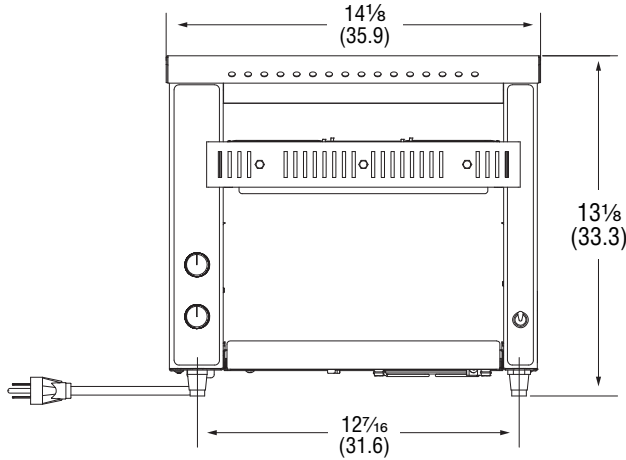
**The Vollrath Company, L.L.C.**

1236 North 18th Street  
Sheboygan, WI 53081-3201 U.S.A.  
Main Tel: 800.624.2051 or 920.457.4851  
Main Fax: 800.752.5620 or 920.459.6573  
Customer Service: 800.628.0830  
Canada Customer Service: 800.695.8560

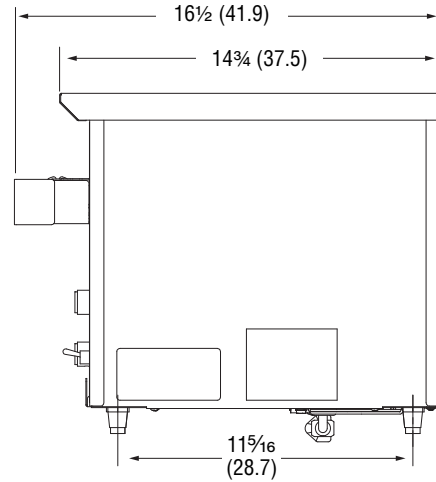
Technical Services  
[techservicereps@vollrathco.com](mailto:techservicereps@vollrathco.com)  
Toasters: 1-800-309-2250  
All Other Products: 800.628.0832

**CONVEYOR BAGEL AND BUN TOASTERS - 400-500 SLICES PER HOUR (MODELS JT1B, JT1BH)**

**DIMENSIONS** (Shown in inches (cm))




Front View



Side View

**SPECIFICATIONS**

Item No.	Model No.	Product Clearance In (CM)	Bagel or Bun Halves per Hour	Voltage	Watts	Amps	Hz	Weight LB (kg)	Plug	Receptacle
CT2B-120500	JT1B	1 1/2 (3.8)	500	120	1400	11.7	60	32 (14.5)	NEMA 5-15P	120V  NEMA 5-15R
CT2BH-120400	JT1BH	3 (7.6)	400					37 (16.8)		



Outperform every day.™

[www.vollrath.com](http://www.vollrath.com)

**The Vollrath Company, L.L.C.**  
 1236 North 18th Street  
 Sheboygan, WI 53081-3201 U.S.A.  
 Main Tel: 800.624.2051 or 920.457.4851  
 Main Fax: 800.752.5620 or 920.459.6573  
 Customer Service: 800.628.0830  
 Canada Customer Service: 800.695.8560

Technical Services  
[techservicereps@vollrathco.com](mailto:techservicereps@vollrathco.com)  
 Toasters: 1.800.309.2250  
 All Other Products: 1.800.628.0832