



Outperform every day.™

Project:

Item Number:

Quantity:

Conveyor Toasters - 300-800 Slices Per Hour

The Vollrath Company, L.L.C.

## CONVEYOR TOASTERS - 300-800 SLICES PER HOUR (MODELS JT2, JT2H)



### DESCRIPTION

Vollrath's 300-800 slices per hour conveyor toasters feature easy-to-use conveyor control and variable top and bottom heat control to perfectly toast and warm a variety of bread products – bread, buns, rolls, bagels, waffles, pita bread, Texas toast and English muffins. These toasters provide mid-size restaurants with the flexibility to a variety of bread products for breakfast and lunch menu items.

### WARRANTY

- Warrantied parts: The warranty period is 2 year parts, 1 year labor.
- Heater tubes: The warranty period is 1 year parts and labor. Heater tube glass damage is not covered by this warranty.
- For full warranty details, please refer to [www.Vollrath.com](http://www.Vollrath.com).

### Agency Listings



Due to continued product improvement, please consult [www.vollrath.com](http://www.vollrath.com) for current product specifications.

### ITEMS

Item No.	Model No.	Description
CT4-120450		450 Slices Per Hour, 120V
CT4-208800	JT2	800 Slices Per Hour, 208V
CT4-220800*		800 Slices Per Hour, 220V
CT4-240800		800 Slices Per Hour, 240V
CT4H-120300	JT2H	300 Slices Per Hour, 120V, High Clearance
CT4H-208550		550 Slices Per Hour, 208V, High Clearance
CT4H-220550*		550 Slices Per Hour, 220V, High Clearance
CT4H-240550		550 Slices Per Hour, 240V, High Clearance

\*Made to order item. Made to order items cannot be canceled or returned.

### FEATURES

- Stainless steel and aluminized steel construction.
- Variable speed control.
- Variable top and bottom heat control.
- 10½" (26.7 cm) 2-slice wide conveyor is larger than industry standard for better toasting results.
- Product entry opening on high clearance models can be adjusted from 1½"- 3" (3.8 - 7.6 cm).
- Forced convection toasting promotes uniform results and energy efficiency.
- Energy efficient, fast reacting, quartz heaters.
- High-temperature, Teflon™ bearings ensure smooth operation and do not require lubrication.
- High-quality, Teflon™-impregnated wires help prevent against dry rotting and cracking.
- High-temperature thermoplastic terminal blocks with stainless steel clamping provides superior connections; designed for ease of serviceability.
- Industry's only maintenance-free drive system; stainless steel drive chain does not require lubrication.
- Fan safety switch senses temperature of unit and keeps fan running until machine is completely cool.
- Standby mode saves up to 75 percent energy during slow periods when unit is not in use and allows machine to quickly return to full power.
- Adjustable legs.
- 5 ft. (1.5 m) cord with plug.
- Made in the USA.

### CLEARANCE AND ENVIRONMENT REQUIREMENTS

- Do not place on surfaces or near walls, partitions or kitchen furniture unless they are made of non-combustible material or clad with non-combustible heat-insulating material. Toasters must not be used near or below curtains and other combustible materials.
- Maximum ambient temperature: 104° F (40 ° C).

Approvals	Date



Outperform every day.™

[www.vollrath.com](http://www.vollrath.com)

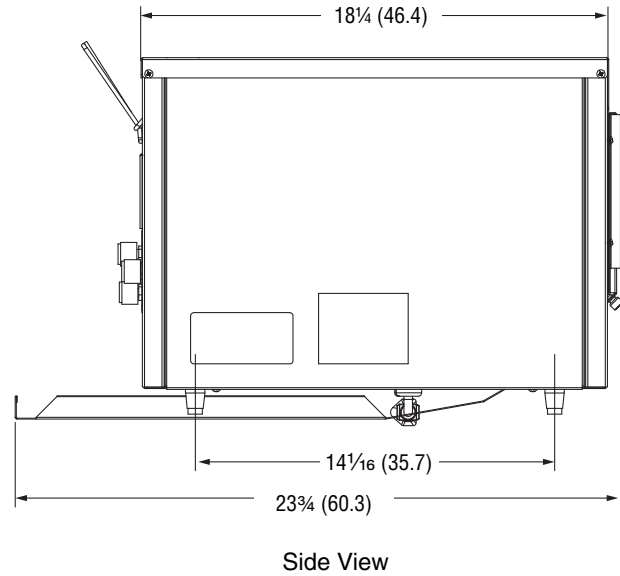
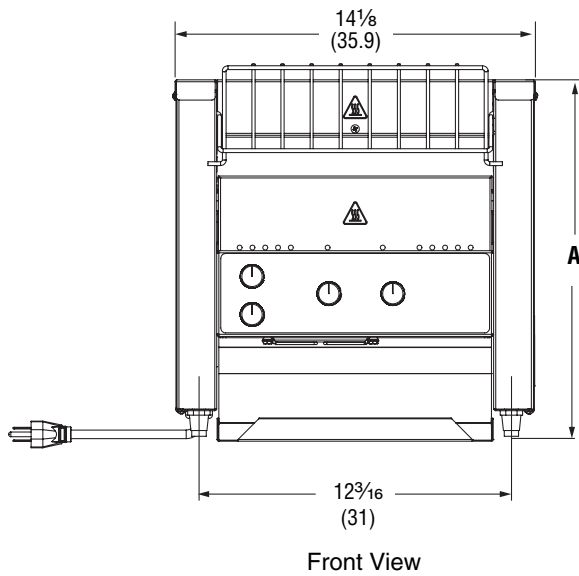
### The Vollrath Company, L.L.C.

1236 North 18th Street  
Sheboygan, WI 53081-3201 U.S.A.  
Main Tel: 800.624.2051 or 920.457.4851  
Main Fax: 800.752.5620 or 920.459.6573  
Customer Service: 800.628.0830  
Canada Customer Service: 800.695.8560

Technical Services  
[techservicereps@vollrathco.com](mailto:techservicereps@vollrathco.com)  
Toaster Products: 800.309.2250  
All Other Products: 800.628.0832

# CONVEYOR TOASTERS - 300-800 SLICES PER HOUR (MODELS JT2, JT2H)

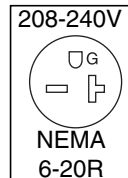
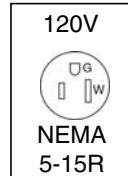
## DIMENSIONS (Shown in inches (cm))



## SPECIFICATIONS

Item No.	Model No.	Product Clearance IN (CM)	Slices or Bun Halves per Hour	Voltage	Watts	Amps	Hz	(A) Height IN (CM)	Weight LB (KG)	Plug	
CT4-120450	JT2	1 1/2 (3.8)	450	120	1700	14.2	60	14 (35.6)	45 (20.4)	NEMA 5-15P	
CT4-208800			800	208	2800	13.5				NEMA 6-20P	
CT4-220800*				220		12.7				NEMA 5-15P	
CT4-240800			240	11.7	NEMA 6-20P						
CT4H-120300	JT2H	Adjustable 1 1/2 - 3 (3.8 - 7.6)	300	120	1700	14.2		15 1/8 (38.4)		45 (20.4)	NEMA 5-15P
CT4H-208550			550	208	2800	13.5					NEMA 6-20P
CT4H-220550*				220		12.7					
CT4H-240550			240	11.7							

### Receptacles



\*Made to order item. Made to order items cannot be canceled or returned.



Outperform every day.™

[www.vollrath.com](http://www.vollrath.com)

### The Vollrath Company, L.L.C.

1236 North 18th Street  
Sheboygan, WI 53081-3201 U.S.A.  
Main Tel: 800.624.2051 or 920.457.4851  
Main Fax: 800.752.5620 or 920.459.6573  
Customer Service: 800.628.0830  
Canada Customer Service: 800.695.8560

Technical Services  
[techservicereps@vollrathco.com](mailto:techservicereps@vollrathco.com)  
Toaster Products: 800.309.2250  
All Other Products: 800.628.0832