



Outperform every day.™

Project:

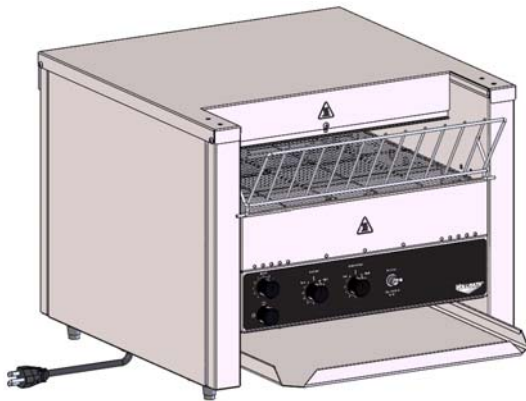
Item Number:

Quantity:

Conveyor Bagel or Bun Toasters - 1,400 Slices Per Hour

The Vollrath Company, L.L.C.

CONVEYOR BAGEL OR BUN TOASTERS - 1,400 SLICES PER HOUR (MODEL JT3BH)



DESCRIPTION

Vollrath's Conveyor 1,400 Slice Per Hour Bagel or Bun Toasters provide flexibility to change from a one-sided toast mode to a two-sided bagel/bun mode with the flip of a switch. Top and bottom heat control, and variable speed control dial in perfect browning. Ideal for medium-large volume restaurants that need flexibility to toast a variety of products from slices of bread to extra large bagels, to buns and English muffins.

WARRANTY

- Warrantied parts: The warranty period is 2 year parts, 1 year labor.
- Heater tubes: The warranty period is 1 year parts and labor. Heater tube glass damage is not covered by this warranty.
- For full warranty details, please refer to www.vollrath.com.

Agency Listings



Due to continued product improvement, please consult www.vollrath.com for current product specifications.

ITEMS

| Item No. | Model | |
|----------------|-------|---|
| | No. | Description |
| CT4BH-2081400 | | 1,400 Slices Per Hour, 208V, High Clearance |
| CT4BH-2201400* | JT3BH | 1,400 Slices Per Hour, 220V, High Clearance |
| CT4BH-2401400 | | 1,400 Slices Per Hour, 240V, High Clearance |

*Made to order item. Made to order items cannot be canceled or returned.

FEATURES

- Stainless steel and aluminized steel construction.
- Variable speed control.
- Top and Top-Bottom heat switch to quickly change between one-sided and two-sided toasting.
- 14½" (36.8 cm) 3-slice wide conveyor is larger than industry standard for better toasting results.
- Product entry opening on high clearance models can be adjusted from 1½" - 3" (3.8 - 7.6 cm).
- Forced convection toasting promotes uniform results and energy efficiency.
- Energy efficient, fast reacting, quartz heaters.
- High-temperature, Teflon™ bearings ensure smooth operation and do not require lubrication.
- High-quality, Teflon™-impregnated wires help prevent against dry rotting and cracking.
- High-temperature thermoplastic terminal blocks with stainless steel clamping provides superior connections; designed for ease of serviceability.
- Industry's only maintenance-free drive system; stainless steel drive chain does not require lubrication.
- Standby mode saves up to 75 percent energy during slow periods when unit is not in use and allows machine to quickly return to full power.
- Fan safety switch senses temperature of unit and keeps fan running until machine is completely cool.
- Adjustable legs.
- 5 ft. (1.5 m) cord with plug.
- Made in the USA.

CLEARANCE AND ENVIRONMENT REQUIREMENTS

- Do not place on surfaces or near walls, partitions or kitchen furniture unless they are made of non-combustible material or clad with non-combustible heat-insulating material. Toasters must not be used near or below curtains and other combustible materials.
- Maximum ambient temperature: 104° F (40° C).

| Approvals | Date |
|-----------|------|
| | |



Outperform every day.™

www.vollrath.com

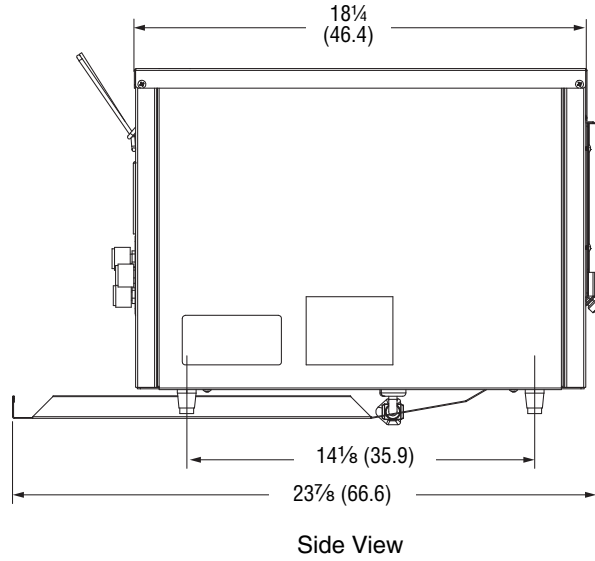
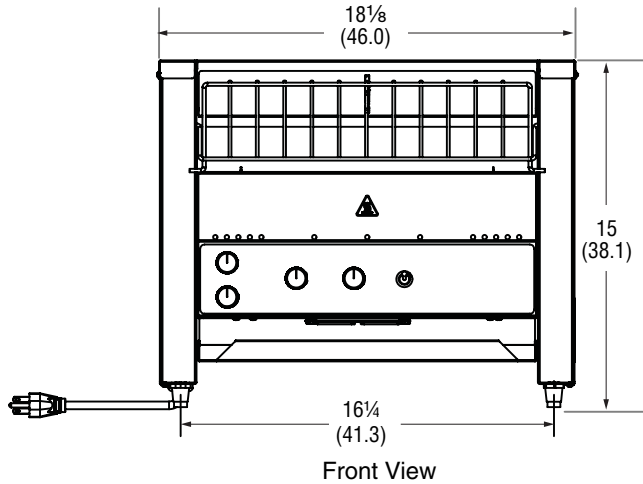
The Vollrath Company, L.L.C.

1236 North 18th Street
Sheboygan, WI 53081-3201 U.S.A.
Main Tel: 800.624.2051 or 920.457.4851
Main Fax: 800.752.5620 or 920.459.6573
Customer Service: 800.628.0830
Canada Customer Service: 800.695.8560

Technical Services
techservicereps@vollrathco.com
Toasters: 1-800-309-2250
All Other Products: 800.628.0832

CONVEYOR BAGEL OR BUN TOASTERS - 1,400 SLICES PER HOUR (MODEL JT3BH)

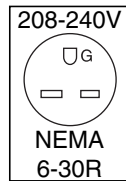
DIMENSIONS (Shown in inches (cm))



SPECIFICATIONS

| Item No. | Model No. | Slices, Bagel or Bun Halves per Hour | Product Clearance In (CM) | Voltage | Watts | Amps | Hz | Weight Lb (Kg) | Plug |
|----------------|-----------|--------------------------------------|-------------------------------------|---------|-------|------|----|----------------|---------------|
| CT4BH-2081400 | JT3BH | 1,400 | Adjustable 1½ - 3 (3.8 - 7.6) | 208 | 3600 | 17.3 | 60 | 70 (31.8) | NEMA 6-30P |
| CT4BH-2201400* | | | | 220 | | 16.4 | | | |
| CT4BH-2401400 | | | | 240 | | 15 | | | |

Receptacle



*Made to order item. Made to order items cannot be canceled or returned.



Outperform every day.™

www.vollrath.com

The Vollrath Company, L.L.C.
 1236 North 18th Street
 Sheboygan, WI 53081-3201 U.S.A.
 Main Tel: 800.624.2051 or 920.457.4851
 Main Fax: 800.752.5620 or 920.459.6573
 Customer Service: 800.628.0830
 Canada Customer Service: 800.695.8560

Technical Services
techservicereps@vollrathco.com
 Toasters: 1.800.309.2250
 All Other Products: 1.800.628.0832