



Outperform every day.™

Project:  
Item Number:  
Quantity:

Conveyor Toasters - 2,000 Slices Per Hour

The Vollrath Company, L.L.C.

## CONVEYOR TOASTERS - 2,000 SLICES PER HOUR (MODEL JT2000)



### DESCRIPTION

Vollrath's 2,000 slices per hour conveyor toasters are ideal for high volume, short duration serving operations such as military commissaries, hospital kitchens and institutions. They offer high volume and flexibility to change from a two-sided toast mode to a one-sided bagel/bun mode with the flip of a switch.

### WARRANTY

- Warrantied parts: The warranty period is 2 year parts, 1 year labor.
- Heater tubes: The warranty period is 1 year parts and labor. Heater tube glass damage is not covered by this warranty.
- For full warranty details, please refer to [www.vollrath.com](http://www.vollrath.com).

### Agency Listings



Due to continued product improvement, please consult [www.vollrath.com](http://www.vollrath.com) for current product specifications.

### ITEMS

Item No.	Model No.	Description
CT4-2082000		2,000 Slices Per Hour, 208V
CT4-2202000*	JT2000	2,000 Slices Per Hour, 220V
CT4-2402000		2,000 Slices Per Hour, 240V

\*Made to order item. Made to order items cannot be canceled or returned.

### FEATURES

- Stainless steel and aluminized steel construction.
- Variable speed control.
- Variable top and bottom heat control.
- Top and Top-Bottom heat switch to quickly change between one-sided and two-sided toasting.
- 14½" (36.8 cm) 3-slice wide conveyor is larger than industry standard for better toasting results.
- Extended length conveyor keeps operator's hands further from the heater elements when loading bread.
- Forced convection toasting promotes uniform results and energy efficiency.
- Energy efficient, fast reacting, quartz heaters.
- High-temperature, Teflon™ bearings ensure smooth operation and do not require lubrication.
- High-quality, Teflon™-impregnated wires help prevent against dry rotting and cracking.
- High-temperature thermoplastic terminal blocks with stainless steel clamping provides superior connections; designed for ease of serviceability.
- Industry's only maintenance-free drive system; stainless steel drive chain does not require lubrication.
- Fan safety switch senses temperature of unit and keeps fan running until machine is completely cool.
- Adjustable legs.
- 5 ft. (1.5 m) cord with plug.
- Made in the USA.

### CLEARANCE AND ENVIRONMENT REQUIREMENTS

- Do not place on surfaces or near walls, partitions or kitchen furniture unless they are made of non-combustible material or clad with non-combustible heat-insulating material. Toasters must not be used near or below curtains and other combustible materials.
- Maximum ambient temperature: 104° F (40 ° C).

Approvals	Date



Outperform every day.™

[www.vollrath.com](http://www.vollrath.com)

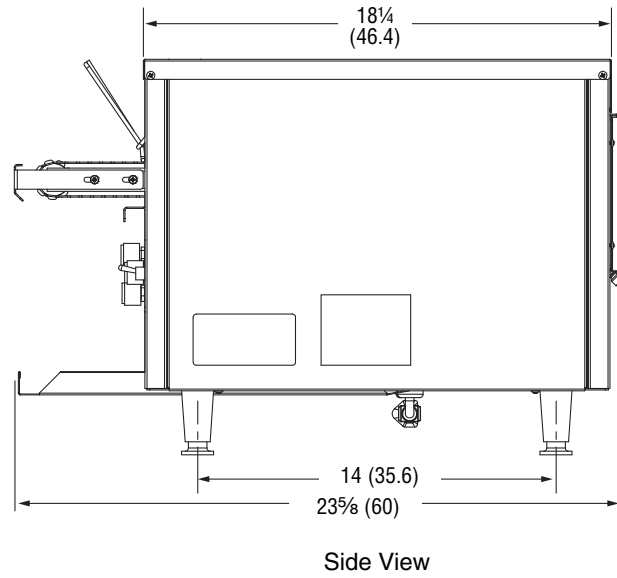
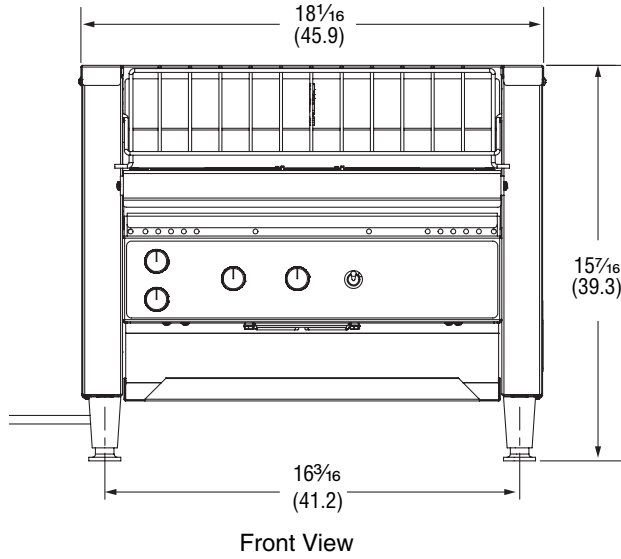
### The Vollrath Company, L.L.C.

1236 North 18th Street  
Sheboygan, WI 53081-3201 U.S.A.  
Main Tel: 800.624.2051 or 920.457.4851  
Main Fax: 800.752.5620 or 920.459.6573  
Customer Service: 800.628.0830  
Canada Customer Service: 800.695.8560

Technical Services  
[techservicereps@vollrathco.com](mailto:techservicereps@vollrathco.com)  
Toaster Products: 800.309.2250  
All Other Products: 800.628.0832

# CONVEYOR TOASTERS - 2,000 SLICES PER HOUR (MODEL JT2000)

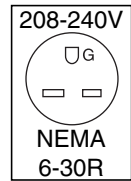
## DIMENSIONS (Shown in inches (cm))



## SPECIFICATIONS

Item No.	Model	Product Clearance In (CM)	Slices or Bun Halves per Hour	Voltage	Watts	Amps	Hz	Weight Lb (Kg)	Plug
CT4-2082000	JT2000	1 3/4 (4.4)	2,000	208	4800	23.1	60	48 (21.8)	NEMA 6-30P
CT4-2202000*				220		21.8			
CT4-2402000				240		20			

### Receptacle



\*Made to order item. Made to order items cannot be canceled or returned.



Outperform every day.™

[www.vollrath.com](http://www.vollrath.com)

**The Vollrath Company, L.L.C.**  
 1236 North 18th Street  
 Sheboygan, WI 53081-3201 U.S.A.  
 Main Tel: 800.624.2051 or 920.457.4851  
 Main Fax: 800.752.5620 or 920.459.6573  
 Customer Service: 800.628.0830  
 Canada Customer Service: 800.695.8560

Technical Services  
 techservices@vollrathco.com  
 Toasters: 1.800.309.2250  
 All Other Products: 1.800.628.0832