



Outperform every day.™

Project:
Item Number:
Quantity:

35 INCH CHEESE MELTERS (MODEL JW30)



DESCRIPTION

Vollrath's 35 Inch Cheese Melters are ideal for melting cheese on nachos, cheese fries or soup; finishing potato skins or garlic bread; or warming plates. Timer-controlled heat delivers consistent, repeatable results. These cheese melters are well-suited for high-volume food service operations.

ITEMS

Item No.	Model No.	Description
CM4-20835	JW30	35" Cheese Melter, 208V
CM4-24035		35" Cheese Melter, 240V

FEATURES

- Stainless steel construction.
- 27½" (69.9 cm) opening.
- Heavy-duty metal-sheathed heating elements.
- 15-minute timer.
- Standby mode saves 75% power during off-peak times.
- Five shelf positions.
- 5 ft. (1.5 m) cord with plug.
- Made in the USA.

WARRANTY

- Warrantied parts: The warranty period is 2 year parts, 1 year labor.
- Heater tubes: The warranty period is 1 year parts and labor.
- For full warranty details, please refer to www.Vollrath.com.

CLEARANCE AND ENVIRONMENT REQUIREMENTS

- Do not place on surfaces or near walls, partitions or kitchen furniture unless they are made of non-combustible material or clad with non-combustible heat-insulating material. Cheese melters must not be used near or below curtains and other combustible materials.
- Allow a minimum of 8" (20.3 cm) of clearance on the left and right sides of the cheese melter.
- Maximum ambient temperature: 104° F (40 ° C).

Agency Listings



Due to continued product improvement, please consult www.vollrath.com for current product specifications.

Approvals	Date



Outperform every day.™

www.vollrath.com

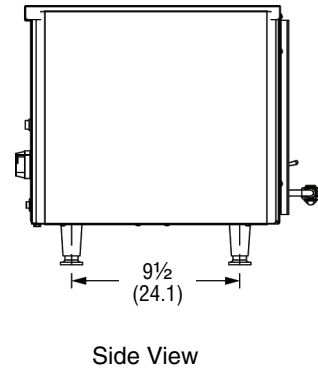
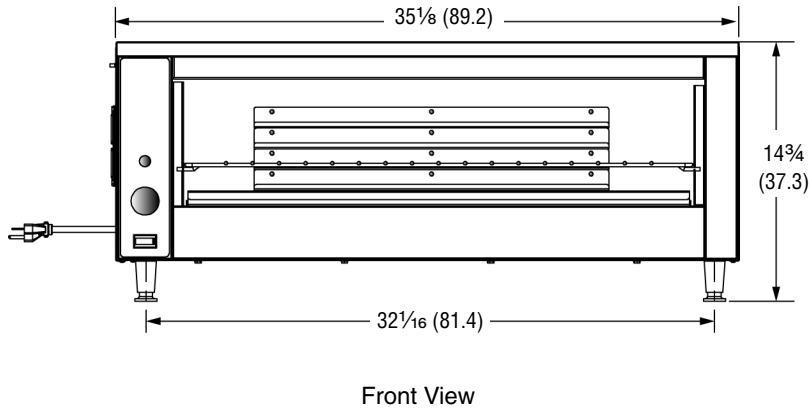
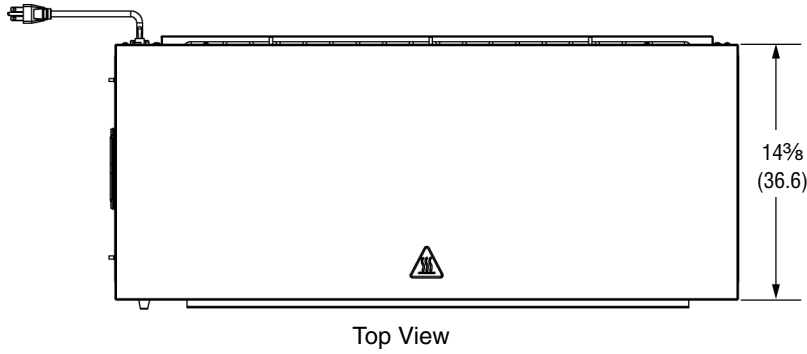
The Vollrath Company, L.L.C.

1236 North 18th Street
Sheboygan, WI 53081-3201 U.S.A.
Main Tel: 800.624.2051 or 920.457.4851
Main Fax: 800.752.5620 or 920.459.6573
Customer Service: 800.628.0830
Canada Customer Service: 800.695.8560

Technical Services
techservicereps@vollrathco.com
Toaster Products: 800.309.2250
All Other Products: 800.628.0832

35 INCH CHEESE MELTERS (MODEL JW30)

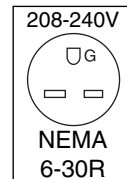
DIMENSIONS (Shown in inches (cm))



SPECIFICATIONS

Item No.	Opening IN (CM)	Phase	Voltage	Watts	Amps	Hz	Weight LB (KG)	Plug
CM4-20835	27 1/2	1	208	3660	17.6	60	60	NEMA 6-30P
CM4-24035	(69.9)		240		15.3			

Receptacle



Outperform every day.™

www.vollrath.com

The Vollrath Company, L.L.C.

1236 North 18th Street
Sheboygan, WI 53081-3201 U.S.A.
Main Tel: 800.624.2051 or 920.457.4851
Main Fax: 800.752.5620 or 920.459.6573
Customer Service: 800.628.0830
Canada Customer Service: 800.695.8560

Technical Services
techservicereps@vollrathco.com
Toaster Products: 800.309.2250
All Other Products: 800.628.0832