



Outperform every day.™

Project:
Item Number:
Quantity:

35 INCH PLATE ACTIVATED CHEESE MELTERS (MODEL JW30PA)



DESCRIPTION

Vollrath's 35 Inch Plate Activated Cheese Melters are ideal for melting cheese on nachos, cheese fries or soup; finishing potato skins or garlic bread; or warming plates. Plate activated heat control simplifies use. The cheese melters are well-suited for high volume food service operations.

ITEMS

Item No.	Model No.	Description
CM4-20835PA	JW30PA	35" Cheese Melter, Plate Activated, 208V
CM4-24035PA		35" Cheese Melter, Plate Activated, 240V

FEATURES

- Stainless steel construction.
- 27½" (69.9 cm) opening.
- Heavy-duty metal-sheathed heating elements.
- Standby mode saves 75% power during off-peak times.
- Weight of plate brings unit from standby mode to full power.
- Five shelf positions.
- 5 ft. (1.5 m) cord with plug.
- Made in the USA.

WARRANTY

- Warrantied parts: The warranty period is 2 year parts, 1 year labor.
- Heater tubes: The warranty period is 1 year parts and labor.
- For full warranty details, please refer to www.Vollrath.com.

CLEARANCE AND ENVIRONMENT REQUIREMENTS

- Do not place on surfaces or near walls, partitions or kitchen furniture unless they are made of non-combustible material or clad with non-combustible heat-insulating material. Cheese melters must not be used near or below curtains and other combustible materials.
- Allow a minimum of 8" (20.3 cm) of clearance on the left and right sides of the cheese melter.
- Maximum ambient temperature: 104° F (40 ° C).

Agency Listings



Due to continued product improvement, please consult www.vollrath.com for current product specifications.

Approvals	Date



Outperform every day.™

www.vollrath.com

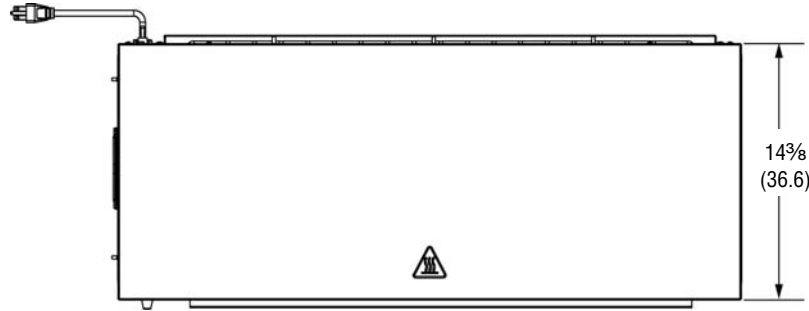
The Vollrath Company, L.L.C.

1236 North 18th Street
Sheboygan, WI 53081-3201 U.S.A.
Main Tel: 800.624.2051 or 920.457.4851
Main Fax: 800.752.5620 or 920.459.6573
Customer Service: 800.628.0830
Canada Customer Service: 800.695.8560

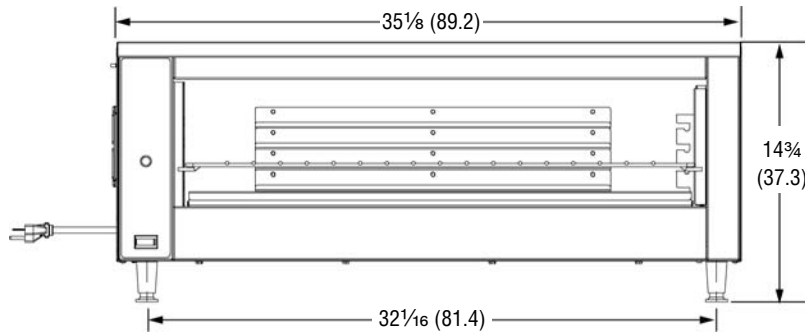
Technical Services
techservicereps@vollrathco.com
Toaster Products: 800.309.2250
All Other Products: 800.628.0832

35 INCH PLATE ACTIVATED CHEESE MELTERS (MODEL JW30PA)

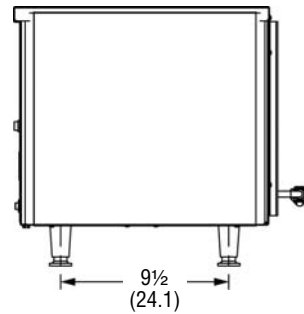
DIMENSIONS (Shown in inches (cm))



Top View



Front View

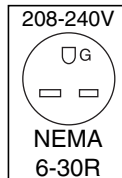


Side View

SPECIFICATIONS

Item No.	Opening IN (CM)	Phase	Voltage	Watts	Amps	Hz	Weight LB (KG)	Plug
CM4-20835PA	27 1/2	1	208	3660	17.6	60	60	NEMA 6-30P
CM4-24035PA	(69.9)		240		15.3			

Receptacle



Outperform every day.™

www.vollrath.com

The Vollrath Company, L.L.C.

1236 North 18th Street
 Sheboygan, WI 53081-3201 U.S.A.
 Main Tel: 800.624.2051 or 920.457.4851
 Main Fax: 800.752.5620 or 920.459.6573
 Customer Service: 800.628.0830
 Canada Customer Service: 800.695.8560

Technical Services
techservicereps@vollrathco.com
 Toaster Products: 800.309.2250
 All Other Products: 800.628.0832