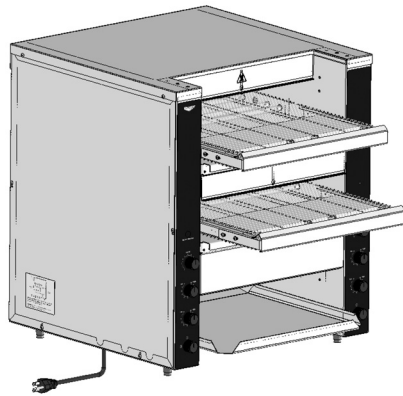




Outperform every day.™

Project:
Item Number:
Quantity:

DUAL CONVEYOR TOASTERS - UP TO 1,100 SLICES PER HOUR COMBINED (MODEL JT4)



DESCRIPTION

Vollrath's Dual Conveyor Toasters have two independently-controlled toasting chambers. These toasters provide the flexibility of two toasters in the footprint of one. They are ideal for mid-size restaurants that need to toast different bread products at the same time. Not intended for high-volume toasting operations.

WARRANTY

- Warranted parts: The warranty period is 2 year parts, 1 year labor.
- Heater tubes: The warranty period is 1 year parts and labor. Heater tube glass damage is not covered by this warranty.
- For full warranty details, please refer to www.Vollrath.com.

Agency Listings



Due to continued product improvement, please consult www.vollrath.com for current product specifications.

ITEMS

Item No.	Model	Description
CT4-208Dual		Dual Conveyor Toaster, 208V
CT4-220Dual*	JT4	Dual Conveyor Toaster, 220V
CT4-240Dual*		Dual Conveyor Toaster, 240V

*Made to order item. Made to order items cannot be canceled or returned.

FEATURES

- Stainless steel and aluminized steel construction.
- Independent variable speed control for each chamber.
- Independent top and bottom heat control for each chamber.
- 14½" (36.8 cm) 3-slice wide conveyors are larger than industry standard for better toasting results.
- Top chamber product entry opening is adjustable from 1½" - 3" (3.8 - 7.6 cm).
- Bottom chamber product entry opening is adjustable up to 1½" (3.8 cm).
- Forced convection toasting promotes uniform results and energy efficiency.
- Energy efficient, fast reacting, quartz heaters.
- High-temperature bearings ensure smooth operation and do not require lubrication.
- High-quality, insulated wires help prevent against dry rotting and cracking.
- High-temperature thermoplastic terminal blocks with stainless steel clamping provides superior connections; designed for ease of serviceability.
- Maintenance-free drive system; stainless steel drive chain does not require lubrication.
- Independent standby mode for each chamber saves up to 75 percent energy during slow periods.
- Fan safety switch senses temperature of unit and keeps fan running until machine is completely cool.
- Adjustable legs.
- 5 ft. (1.5 m) cord with plug.
- Made in the USA.

CLEARANCE AND ENVIRONMENT REQUIREMENTS

- Do not place on surfaces or near walls, partitions or kitchen furniture unless they are made of non-combustible material or clad with non-combustible heat-insulating material. Toasters must not be used near or below curtains and other combustible materials.
- Maximum ambient temperature: 104° F (40 ° C).

Approvals	Date



Outperform every day.™

www.vollrath.com

The Vollrath Company, L.L.C.

1236 North 18th Street
Sheboygan, WI 53081-3201 U.S.A.
Main Tel: 800.624.2051 or 920.457.4851
Main Fax: 800.752.5620 or 920.459.6573
Customer Service: 800.628.0830
Canada Customer Service: 800.695.8560

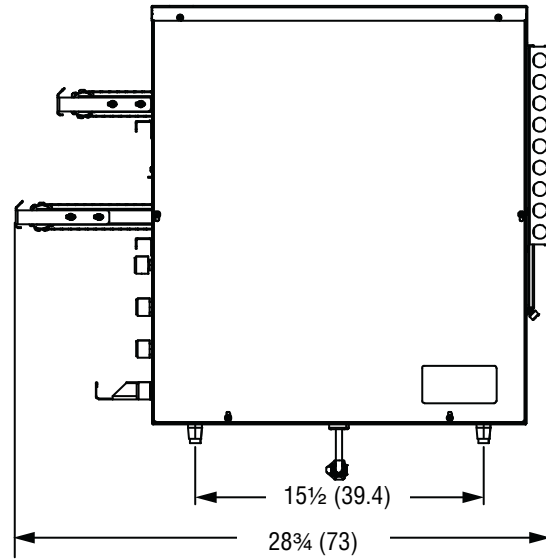
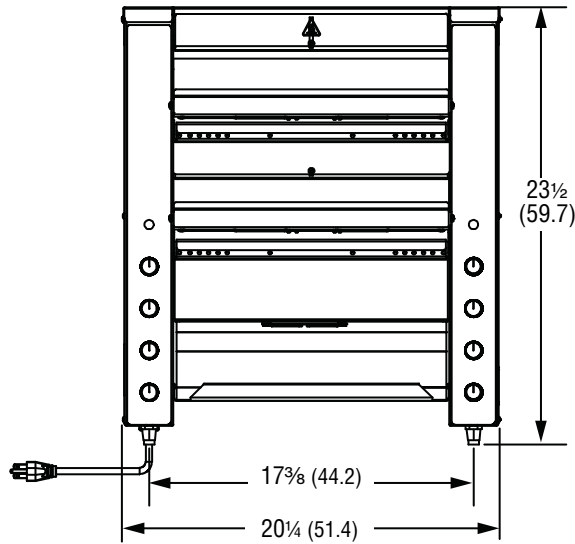
Technical Services
techservicereps@vollrathco.com
Toaster Products: 800.309.2250
All Other Products: 800.628.0832

Dual Conveyor Toasters - Up To 1,100 Slices Per Hour Combined

The Vollrath Company, L.L.C.

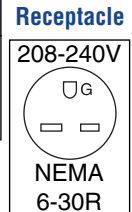
DUAL CONVEYOR TOASTERS - UP TO 1,100 SLICES PER HOUR COMBINED (MODEL JT4)

DIMENSIONS (Shown in inches (cm))



SPECIFICATIONS

Item No.	Model No.	Slices or Bun Halves per Hour	Product Clearance IN (CM)		Voltage	Watts	Amps	Hz	Weight LB (KG)	Plug
			Top Chamber	Bottom Chamber						
CT4-208Dual	JT4	1,100	Adjustable	Adjustable up to	208	4900	23.6	60	75 (34.0)	NEMA 6-30P
CT4-220Dual*			1 1/2 - 3	1 1/2	220					
CT4-240Dual*			(3.8 - 7.6)	(3.8)	240					



*Made to order item. Made to order items cannot be canceled or returned.



Outperform every day.™

www.vollrath.com

The Vollrath Company, L.L.C.

1236 North 18th Street
 Sheboygan, WI 53081-3201 U.S.A.
 Main Tel: 800.624.2051 or 920.457.4851
 Main Fax: 800.752.5620 or 920.459.6573
 Customer Service: 800.628.0830
 Canada Customer Service: 800.695.8560

Technical Services
techservicereps@vollrathco.com
 Toaster Products: 800.309.2250
 All Other Products: 800.628.0832