



Outperform every day.™

Project:  
Item Number:  
Quantity:

**VERTICAL CONTACT BUN TOASTER – 1,400 BUN HALVES PER HOUR (MODEL CBT15)**



**DESCRIPTION**

Vollrath's Vertical Contact Bun Toaster delivers perfectly toasted hamburger buns - smooth toasted cut sides that hold up to juicy burgers, sauces and sandwiches; with warmed crown and heel sides. The vertical, space-saving countertop design improves kitchen operation by moving bun toasting from the flat top to the countertop. This toaster is ideal for food service operations that need high-volume bun toasting.

**WARRANTY**

- Warrantied parts: The warranty period is 2 year parts, 1 year labor.
- Heater tubes: The warranty period is 1 year parts and labor.
- For full warranty details, please refer to [www.Vollrath.com](http://www.Vollrath.com).

**CLEARANCE AND ENVIRONMENT REQUIREMENTS**

- Do not place on surfaces or near walls, partitions or kitchen furniture unless they are made of non-combustible material or clad with non-combustible heat-insulating material. Toasters must not be used near or below curtains and other combustible materials.
- Maximum ambient temperature: 104° F (40 ° C).

**Agency Listings**



Due to continued product improvement, please consult [www.vollrath.com](http://www.vollrath.com) for current product specifications.

**ITEMS**

| Item No. | Model No. | Description                        |
|----------|-----------|------------------------------------|
| VCT4-208 | CBT15     | Vertical Contact Bun Toaster, 208V |
| VCT4-240 |           | Vertical Contact Bun Toaster, 240V |

**FEATURES**

- Stainless steel and aluminized steel construction.
- Two openings for maximum loading capacity.
- Aluminum platen provides a smoothly toasted surface to hold up to juicy burgers and sauces.
- Adjustable product opening ½" - 1" (1.3 - 2.5 cm) to accommodate different types of buns.
- Non-stick release sheet is easy to clean and install. Ships with two sheets – one installed, and one extra sheet in the box.
- Independent variable speed controls for each opening.
- Heavy-duty, metal-sheathed heating elements are thermostatically controlled.
- Axillary heater elements to warm crown and heel sides.
- High-temperature bearings ensure smooth operation and do not require lubrication.
- High-quality, insulated wires help prevent against dry rotting and cracking.
- High-temperature thermoplastic terminal blocks with stainless steel clamping provides superior connections; designed for ease of serviceability.
- Maintenance-free drive system; stainless steel drive chain does not require lubrication.
- Fan control switch senses temperature of unit and keeps fan running until machine is completely cool.
- Adjustable legs.
- 4 ft. (1.2 m) cord with plug.
- Made in the USA.

**ACCESSORIES**

- 351032** Replacement Release Sheets (quantity 2)
- 351034** Butter Wheel (Not NSF)

| Approvals | Date |
|-----------|------|
|           |      |



Outperform every day.™

[www.vollrath.com](http://www.vollrath.com)

**The Vollrath Company, L.L.C.**  
 1236 North 18th Street  
 Sheboygan, WI 53081-3201 U.S.A.  
 Main Tel: 800.624.2051 or 920.457.4851  
 Main Fax: 800.752.5620 or 920.459.6573  
 Customer Service: 800.628.0830  
 Canada Customer Service: 800.695.8560

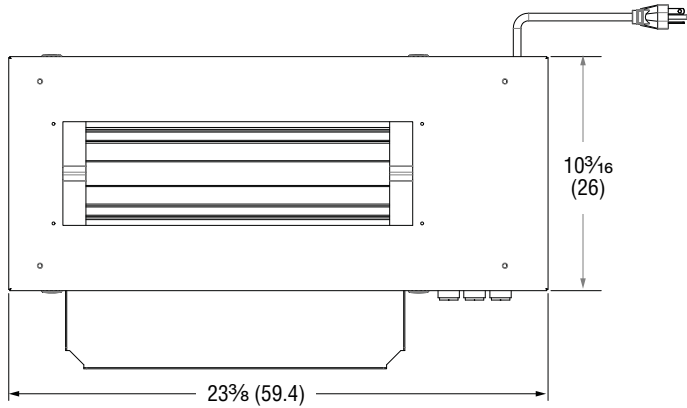
**Technical Services**  
[techservicereps@vollrathco.com](mailto:techservicereps@vollrathco.com)  
 Toasters: 1.800.309.2250  
 All Other Products: 1.800.628.0832

Vertical Contact Bun Toaster – 1,400 Bun Halves per Hour

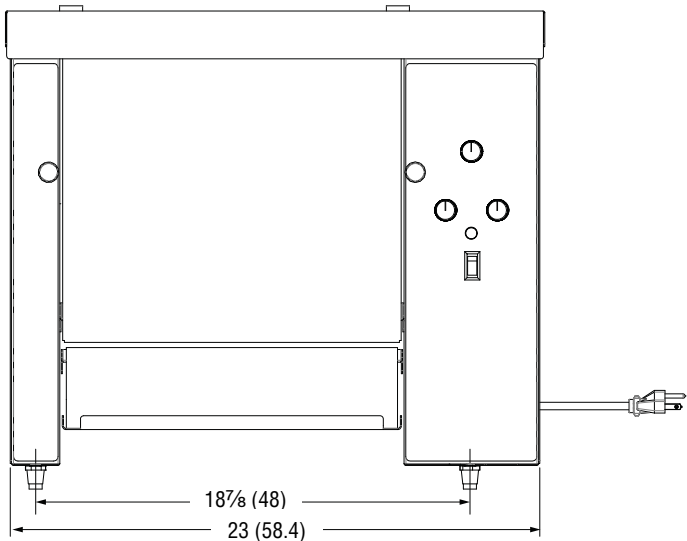
The Vollrath Company, L.L.C.

**VERTICAL CONTACT BUN TOASTER – 1,400 BUN HALVES PER HOUR (MODEL CBT15)**

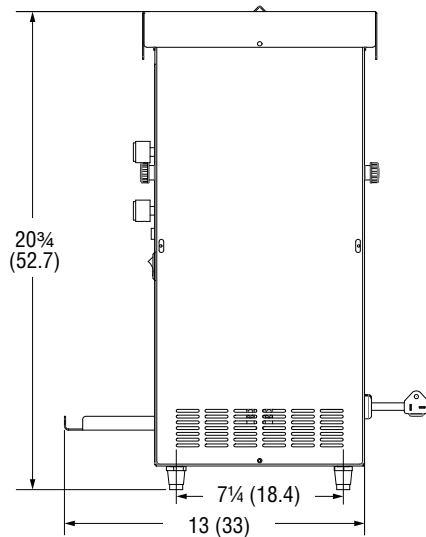
**DIMENSIONS** (Shown in inches (cm))



Top View



Front View

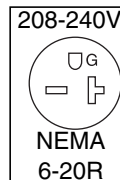


Side View

**SPECIFICATIONS**

| Item No. | Bun Halves per Hour | Product Opening In (CM)              | Voltage | Watts | Amps | Hz | Weight LB (kg) | Plug          |
|----------|---------------------|--------------------------------------|---------|-------|------|----|----------------|---------------|
| VCT4-208 | 1,400               | Adjustable<br>1/2 - 1<br>(1.3 - 2.5) | 208     | 3200  | 15.4 | 60 | 75<br>(34)     | NEMA<br>6-20P |
| VCT4-240 |                     |                                      | 240     |       | 13.3 |    |                |               |

**Receptacle**



Outperform every day.™

[www.vollrath.com](http://www.vollrath.com)

**The Vollrath Company, L.L.C.**

1236 North 18th Street  
 Sheboygan, WI 53081-3201 U.S.A.  
 Main Tel: 800.624.2051 or 920.457.4851  
 Main Fax: 800.752.5620 or 920.459.6573  
 Customer Service: 800.628.0830  
 Canada Customer Service: 800.695.8560

Technical Services  
[techservicereps@vollrathco.com](mailto:techservicereps@vollrathco.com)  
 Toasters: 1.800.309.2250  
 All Other Products: 1.800.628.0832