



Outperform every day.™

Project:

Item Number:

Quantity:

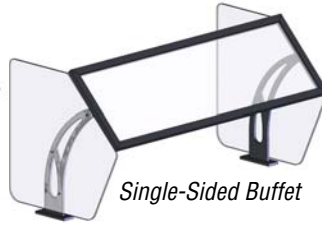
NSF Progressive Style Breath Guards

The Vollrath Company, L.L.C.

NSF PROGRESSIVE STYLE BREATH GUARDS



Double-Sided Buffet



Single-Sided Buffet



Single-Sided Buffet with Top Shelf



Cafeteria with Top Shelf

DESCRIPTION

Progressive breath guards are both light weight for easy installation and strong for long-term use. These breath guards can be used with Signature Server® and over drop-ins.

FEATURES

- End frames constructed of 3/8" (1 cm) water-jet cut aluminum with extruded aluminum glass frames
- 1/4" (6.4 mm) tempered glass is secured in a tight-fitting channel, creating a continuous, clean line from framework to glass
- Extended glass side panels and 1/4" (6.4 mm) acrylic end panels
- Color choices include standard Gray Hammer Semi-gloss or nine stylish powder-coated color

WARRANTY

All models shown come with Vollrath's standard warranty against defects in materials and workmanship. For full warranty details, please refer to www.Vollrath.com.

BUILD A MODEL NUMBER

Step 1* Select Base Item			Step 2 Select Color		Optional Step 3 Select Accessories	
Length	For Use With Signature Server® With Stainless Steel Countertops	For Use Over Drop-ins and Signature Server® With Non-Stainless Steel Countertops	Suffix	Color	Not available for Single-Sided Buffet style.	
					Suffix	Length
Double-Sided Buffet					Fluorescent Lights	
2-Well/Pan	N98400	NGB98400	99	Std. Gray Hammer	25	2-Well/Pan
3-Well/Pan	N98401	NGB98401	00	Polished Chrome	26	3-Well/Pan
4-Well/Pan	N98402	NGB98402			27	4-Well/Pan
5-Well/Pan	N98403	NGB98403	10	Brass	28	5-Well/Pan
6-Well/Pan	N98404	NGB98404			29	6-Well/Pan
Single-Sided Buffet with Top Shelf					Incandescent Lights	
2-Well/Pan	N98405	NGB98405	20	Blk Hammer Semi-Gloss	15	2-Well/Pan
3-Well/Pan	N98406	NGB98406	30	Black 80% Gloss	31	3-Well/Pan
4-Well/Pan	N98407	NGB98407			32	4-Well/Pan
5-Well/Pan	N98408	NGB98408	40	White Hammer	33	5-Well/Pan
6-Well/Pan	N98409	NGB98409			34	6-Well/Pan
Single-Sided Buffet					Cayenne® Heat Strips	
2-Well/Pan	N98410	NGB98410	50	Copper Vein	35	2-Well/Pan
3-Well/Pan	N98411	NGB98411	60	Silver Vein	36	3-Well/Pan
4-Well/Pan	N98412	NGB98412			37	4-Well/Pan
5-Well/Pan	N98413	NGB98413	70	Black/White	38	5-Well/Pan
6-Well/Pan	N98414	NGB98414			39	6-Well/Pan
Cafeteria with Top Shelf					Cayenne® Heat Strips w/ Lights	
2-Well/Pan	N98415	NGB98415	80	Silver Hammertone	12	2-Well/Pan
3-Well/Pan	N98416	NGB98416			41	3-Well/Pan
4-Well/Pan	N98417	NGB98417			42	4-Well/Pan
5-Well/Pan	N98418	NGB98418			43	5-Well/Pan
6-Well/Pan	N98419	NGB98419			44	6-Well/Pan

* When ordering breath guards for Signature Server® bases with stainless steel countertops, 14 gauge countertops must be specified, will be supplied by Vollrath and added to the cost of the base. Please see the Vollrath Food Service List Prices book.

Due to continued product improvement, please consult www.vollrath.com for current product specifications.

Agency Listings



Approvals	Date



Outperform every day.™
www.vollrath.com

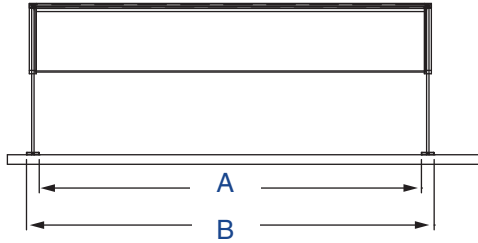
The Vollrath Company, L.L.C.
1236 North 18th Street
Sheboygan, WI 53081-3201 U.S.A.
Customer Service: 800.628.0830
Canada Customer Service: 800.695.8560
Main Fax: 800.752.5620 or 920.459.6573

Technical Services: 800.628.0832
Technical Services Fax: 920.459.5462

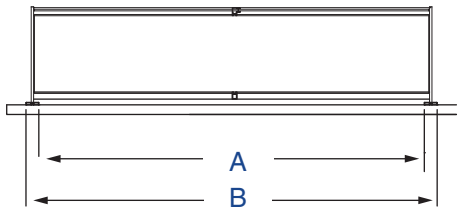
NSF PROGRESSIVE STYLE BREATH GUARDS

DIMENSIONS (Shown in inches (cm))

Front View



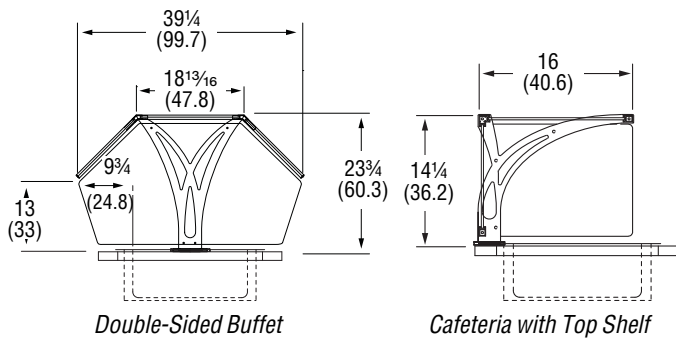
Double-Sided Buffet, Single-Sided Buffet with Top Shelf and Single-Sided Buffet



Single-Sided Cafeteria with Top Shelf

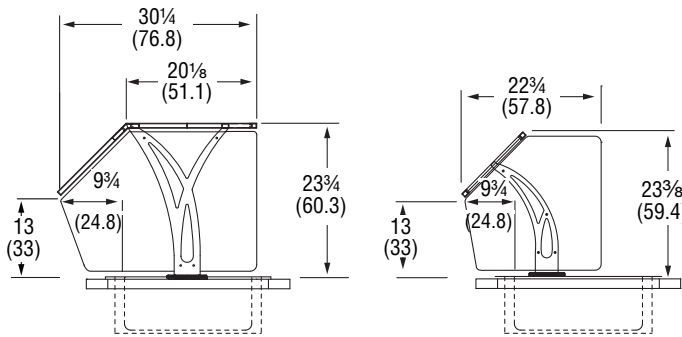
Style	(A) Inside of Flange to Inside of Flange	(B) Outside of Flange to Outside of Flange
Signature Server® with Stainless Steel Countertops		
Two-Well/Pan	26 (66)	30 (76.2)
Three-Well/Pan	41 (104.1)	45 (114.3)
Four-Well/Pan	55 (139.7)	59 (149.9)
Five-Well/Pan	69 (175.2)	73 (185.4)
Six-Well/Pan	83 (210.9)	87 (221)
For Use Over Drop-ins or Signature Server® With Non-Stainless Steel Countertops		
Two-Well/Pan	30½ (77.5)	34½ (87.6)
Three-Well/Pan	43 (109.2)	47 (119.4)
Four-Well/Pan	56¼ (142.9)	60¼ (153)
Five-Well/Pan	69½ (176.5)	73½ (186.7)
Six-Well/Pan	82¾ (210.2)	86¾ (220.3)

Side View



Double-Sided Buffet

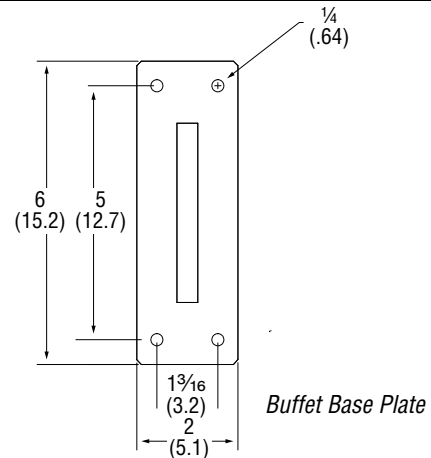
Cafeteria with Top Shelf



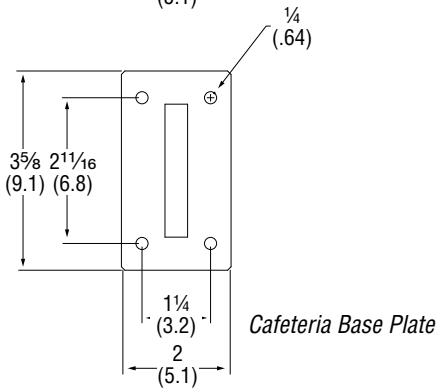
Single-Sided Buffet with Top Shelf

Single-Sided Buffet

Base Plate



Buffet Base Plate



Cafeteria Base Plate



Outperform every day.™

www.vollrath.com

The Vollrath Company, L.L.C.
1236 North 18th Street
Sheboygan, WI 53081-3201 U.S.A.
Customer Service: 800.628.0830
Canada Customer Service: 800.695.8560
Main Fax: 800.752.5620 or 920.459.6573

Technical Services: 800.628.0832
Technical Services Fax: 920.459.5462