



Outperform every day.™

**Project:**

**Item Number:**

**Quantity:**

Standard Progressive Style Breath Guards

The Vollrath Company, L.L.C.

## STANDARD PROGRESSIVE STYLE BREATH GUARDS

### DESCRIPTION

Progressive breath guards are both light weight for easy installation and strong for long-term use. These breath guards can be used with Signature Server® and over drop-ins.

### FEATURES

- End frames constructed of 3/8" (1 cm) water-jet cut aluminum with extruded aluminum glass frames
- 1/4" (6.4 mm) tempered glass is secured in a tight-fitting channel, creating a continuous, clean line from framework to glass
- Color choices include standard Gray Hammer Semi-gloss or nine stylish powder-coated color

### WARRANTY

All models shown come with Vollrath's standard warranty against defects in materials and workmanship. For full warranty details, please refer to [www.Vollrath.com](http://www.Vollrath.com).



Double-Sided Buffet



Single-Sided Buffet with Top Shelf



Single-Sided Buffet



Cafeteria with Top Shelf

### BUILD A MODEL NUMBER

Step 1* Select Base Item			Step 2 Select Color		Optional Step 3 Select Accessories	
Length	For Use With Signature Server® With Stainless Steel Countertops	For Use Over Drop-ins and Signature Server® With Non-Stainless Steel Countertops	Suffix	Color	Not available for Single-Sided Buffet style.	
					Suffix	Length
<b>Double-Sided Buffet</b>					<b>Fluorescent Lights</b>	
2-Well/Pan	98400	GB98400	99	Std. Gray Hammer	25	2-Well/Pan
3-Well/Pan	98401	GB98401	00	Polished Chrome	26	3-Well/Pan
4-Well/Pan	98402	GB98402			27	4-Well/Pan
5-Well/Pan	98403	GB98403	10	Brass	28	5-Well/Pan
6-Well/Pan	98404	GB98404			29	6-Well/Pan
<b>Single-Sided Buffet with Top Shelf</b>					<b>Incandescent Lights</b>	
2-Well/Pan	98405	GB98405	20	Blk Hammer Semi-Gloss	15	2-Well/Pan
3-Well/Pan	98406	GB98406	30	Black 80% Gloss	31	3-Well/Pan
4-Well/Pan	98407	GB98407			32	4-Well/Pan
5-Well/Pan	98408	GB98408	40	White Hammer	33	5-Well/Pan
6-Well/Pan	98409	GB98409			34	6-Well/Pan
<b>Single-Sided Buffet</b>					<b>Cayenne® Heat Strips</b>	
2-Well/Pan	98410	GB98410	50	Copper Vein	35	2-Well/Pan
3-Well/Pan	98411	GB98411	60	Silver Vein	36	3-Well/Pan
4-Well/Pan	98412	GB98412			37	4-Well/Pan
5-Well/Pan	98413	GB98413	70	Black/White	38	5-Well/Pan
6-Well/Pan	98414	GB98414			39	6-Well/Pan
<b>Cafeteria with Top Shelf</b>					<b>Cayenne® Heat Strips w/ Lights</b>	
2-Well/Pan	98415	GB98415	80	Silver Hammertone	12	2-Well/Pan
3-Well/Pan	98416	GB98416			41	3-Well/Pan
4-Well/Pan	98417	GB98417			42	4-Well/Pan
5-Well/Pan	98418	GB98418			43	5-Well/Pan
6-Well/Pan	98419	GB98419			44	6-Well/Pan

\* When ordering breath guards for Signature Server® bases with stainless steel countertops, 14 gauge countertops must be specified, will be supplied by Vollrath and added to the cost of the base. Please see the Vollrath Food Service List Prices book.

Due to continued product improvement, please consult [www.vollrath.com](http://www.vollrath.com) for current product specifications.

Agency Listings



Approvals

Date



Outperform every day.™

[www.vollrath.com](http://www.vollrath.com)

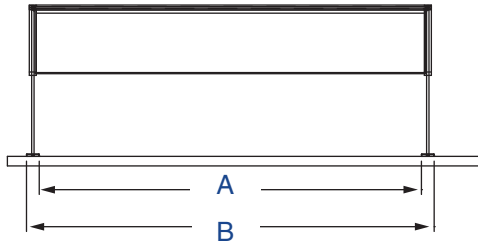
The Vollrath Company, L.L.C.  
1236 North 18th Street  
Sheboygan, WI 53081-3201 U.S.A.  
Customer Service: 800.628.0830  
Canada Customer Service: 800.695.8560  
Main Fax: 800.752.5620 or 920.459.6573

Technical Services: 800.628.0832  
Technical Services Fax: 920.459.5462

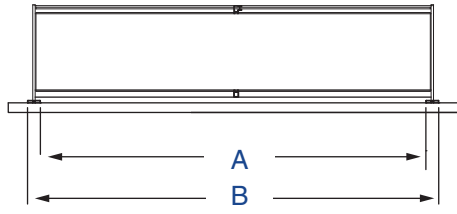
# STANDARD PROGRESSIVE STYLE BREATH GUARDS

## DIMENSIONS (Shown in inches (cm))

### Front View



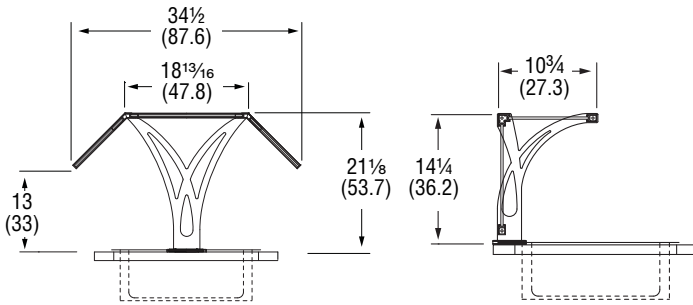
*Double-Sided Buffet, Single-Sided Buffet with Top Shelf and Single-Sided Buffet*



*Single-Sided Cafeteria with Top Shelf*

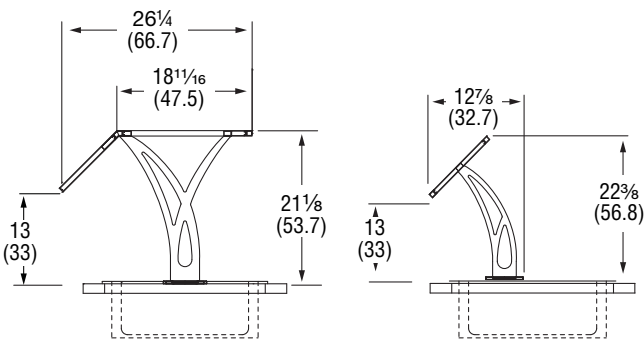
Style	(A) Inside of Flange to Inside of Flange	(B) Outside of Flange to Outside of Flange
<b>For Use With Signature Server® With Stainless Steel Countertops</b>		
Two-Well/Pan	26 (66)	30 (76.2)
Three-Well/Pan	41 (104.1)	45 (114.3)
Four-Well/Pan	55 (139.7)	59 (149.9)
Five-Well/Pan	69 (175.2)	73 (185.4)
Six-Well/Pan	83 (210.9)	87 (221)
<b>For Use Over Drop-ins or Signature Server® With Non-Stainless Steel Countertops</b>		
Two-Well/Pan	30½ (77.5)	34½ (87.6)
Three-Well/Pan	43 (109.2)	47 (119.4)
Four-Well/Pan	56¼ (142.9)	60¼ (153)
Five-Well/Pan	69½ (176.5)	73½ (186.7)
Six-Well/Pan	82¾ (210.2)	86¾ (220.3)

### Side View



*Double-Sided Buffet*

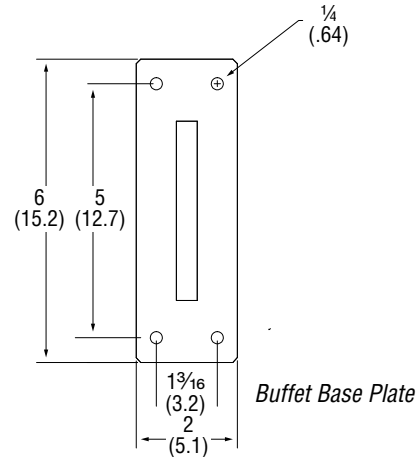
*Cafeteria with Top Shelf*



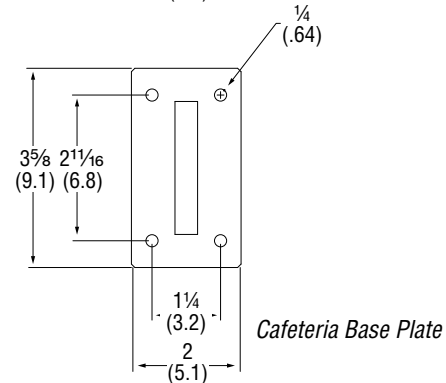
*Single-Sided Buffet with Top Shelf*

*Single-Sided Buffet*

### Base Plate



*Buffet Base Plate*



*Cafeteria Base Plate*



Outperform every day.™

[www.vollrath.com](http://www.vollrath.com)

The Vollrath Company, L.L.C.  
 1236 North 18th Street  
 Sheboygan, WI 53081-3201 U.S.A.  
 Customer Service: 800.628.0830  
 Canada Customer Service: 800.695.8560  
 Main Fax: 800.752.5620 or 920.459.6573

Technical Services: 800.628.0832  
 Technical Services Fax: 920.459.5462