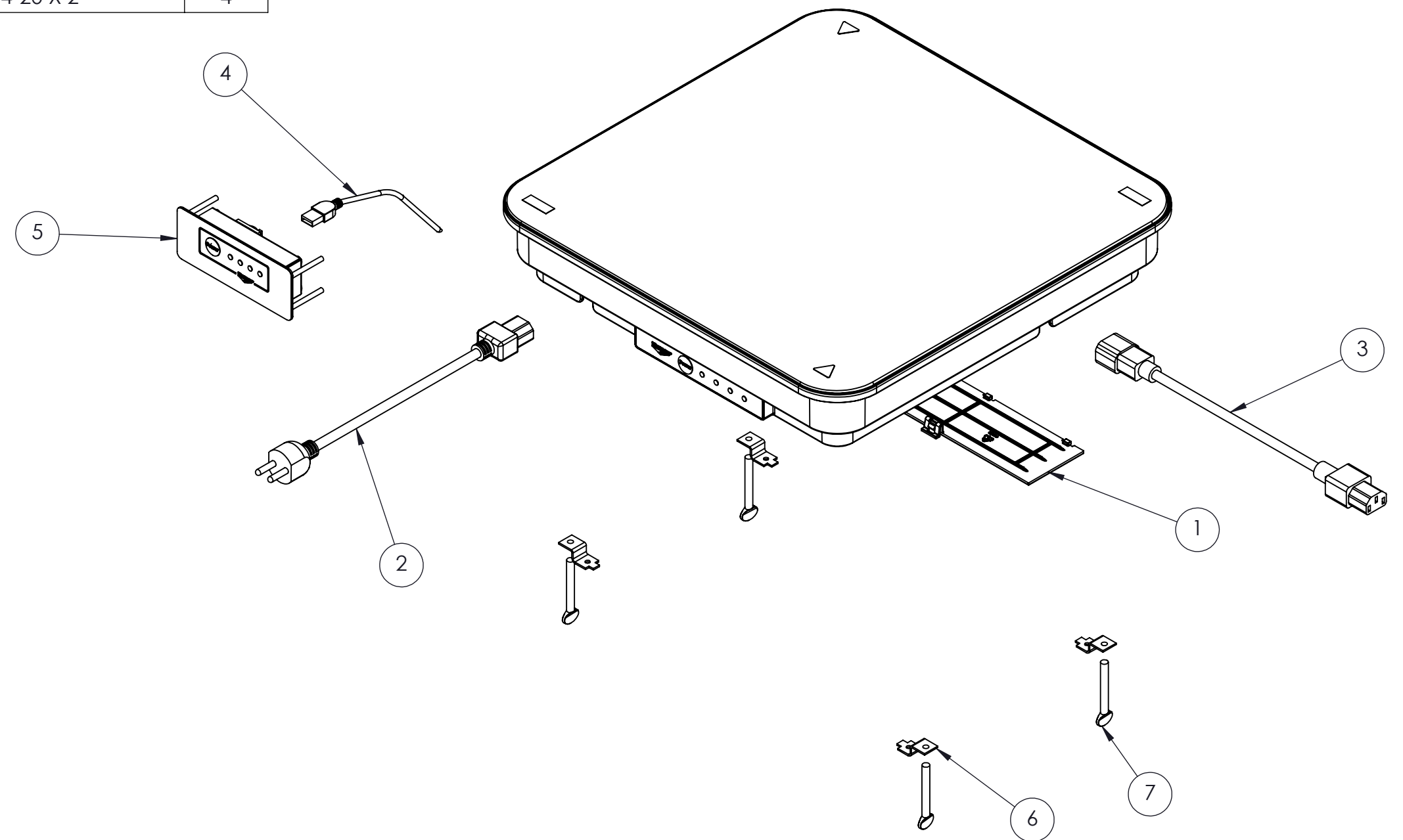




DROP-IN INDUCTION BUFFET WARMER, 16X16- SUNBURST- SCHUKO

ITEM NO.	PART NO.	DESCRIPTION	QTY.
1	25964-1	CORD STORAGE COVER	1
2	25966-1	14 AWG POWER CORD	1
3	25968-1	18 AWG INTERCONNECT PWR CORD	1
4	25987-1	USB CORD	1
5	25986-1	REMOTE CONTROL PANEL	1
6	25988-1	DROP-IN MTG BRACKET	4
7	23035-3	THUMBSCREW 1/4-20 X 2"	4



CUSTOMER SERVICEABLE PARTS